

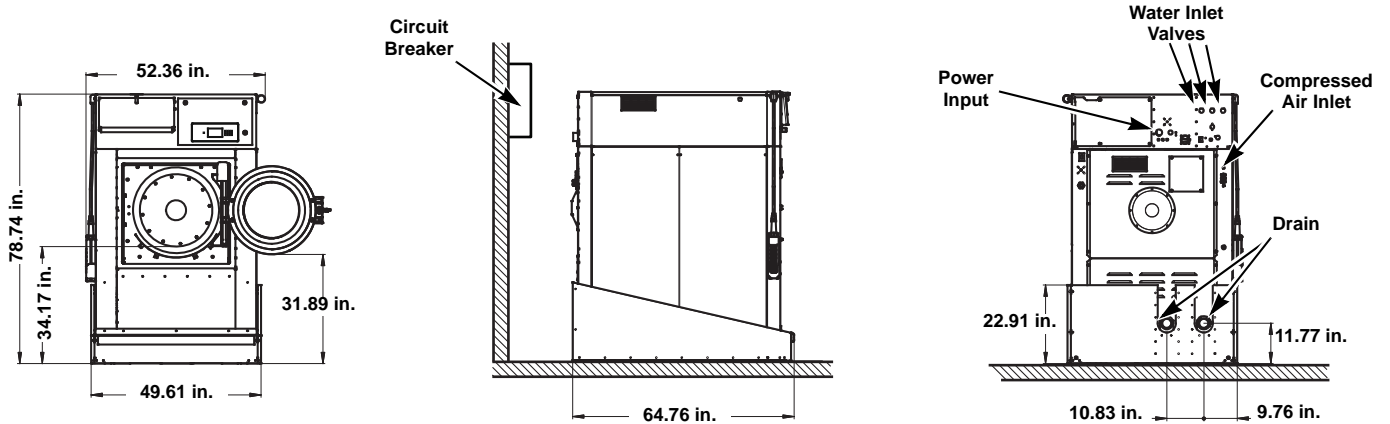
# Machine Dimensions and Specifications

## Model SYN125 - with 1-Way Tilt



Equipment specifications are subject to change without notice.

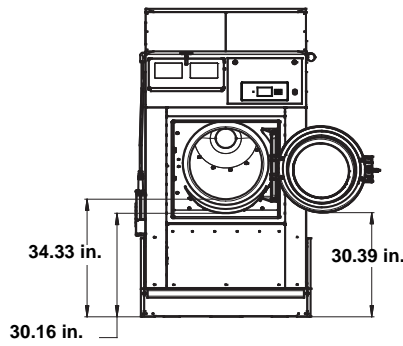
### Dimensions and Foundation Requirements



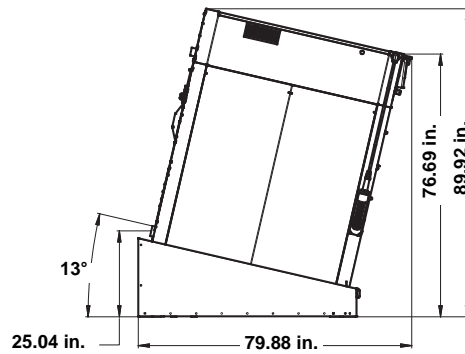
FRONT

LEFT

BACK



FRONT WITH TILT



LEFT WITH TILT

CFD1000N

### Electrical Specifications

| Voltage Designation |         |       |       |                | Non-Electric Heat Machines (Standard) |                    |     |
|---------------------|---------|-------|-------|----------------|---------------------------------------|--------------------|-----|
| Code                | Voltage | Cycle | Phase | Wire           | Full Load Amps                        | Breaker (NonFused) | AWG |
| Q                   | 208-240 | 60    | 3     | 3 (L1, L2, L3) | 28                                    | 40                 | 9   |
| N                   | 440-480 | 60    | 3     | 3 (L1, L2, L3) | 16                                    | 20                 | 13  |

### Water, Drain and Weight Specifications

|                                  |           |
|----------------------------------|-----------|
| Drain Number                     | 2         |
| Drain Size                       | 3 in.     |
| Fill Water Inlets: Number (Size) | 3 (1 in.) |
| Net weight                       | 4255 lb.  |
| Gross weight                     | 4476 lb.  |