

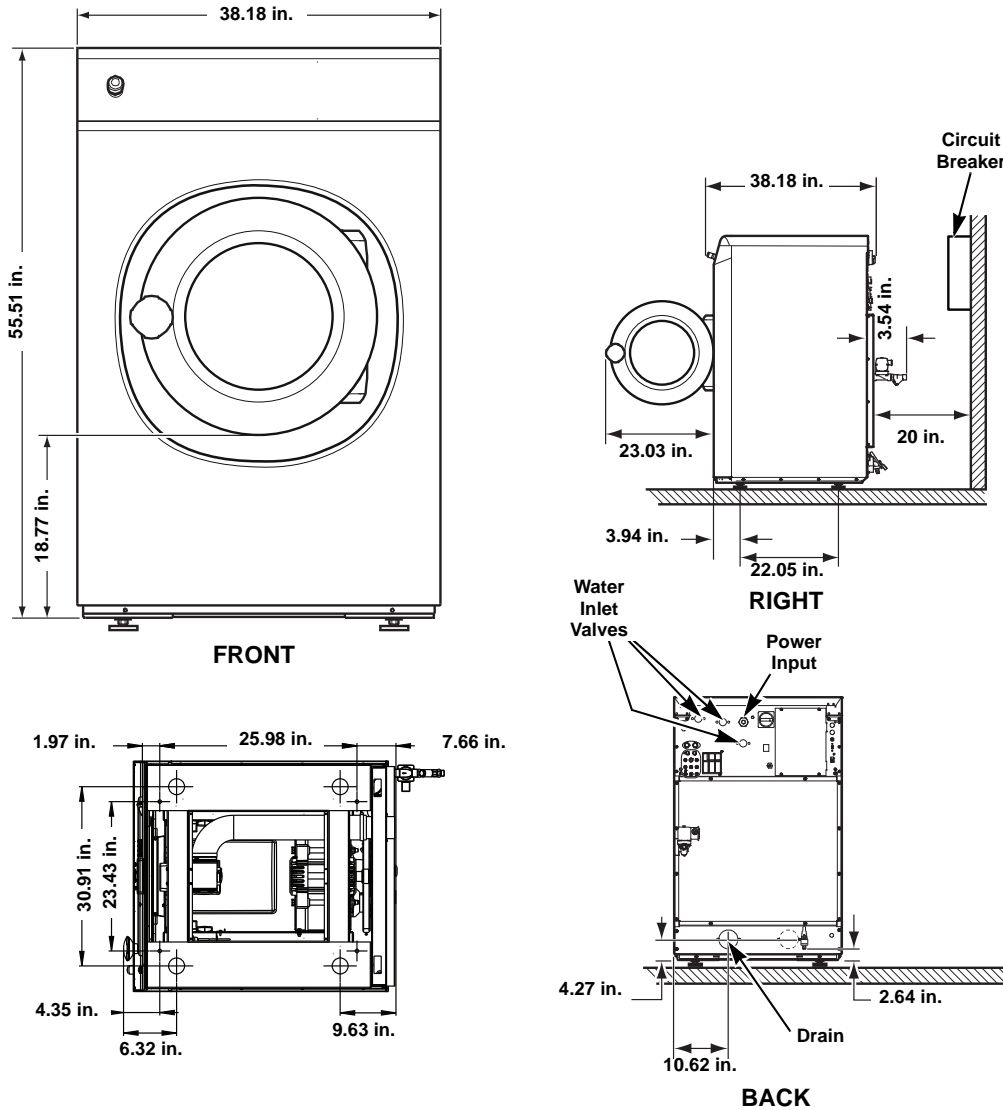
Machine Dimensions and Specifications

Model SYN040



Equipment specifications are subject to change without notice.

Dimensions and Foundation Requirements



CFD1L

Electrical Specifications

Voltage Designation					Non-Electric Heat Machines (Standard)		
Code	Voltage	Cycle	Phase	Wire	Full Load Amps	Breaker (Non Fused)	AWG
X	200-240	60	1 or 3	2 (L1, L2 or L1, N)	14.2	20	12

Water, Drain and Weight Specifications

Drain: Number (Size)	1 (3 in.)
Fill Water Inlets: Number (Size)	3 (3/4 in.) 2 standard, 1 optional
Weight: Net (Gross)	838 lbs. (871 lbs.)
Side Clearance:	0.79 in. (minimum)