

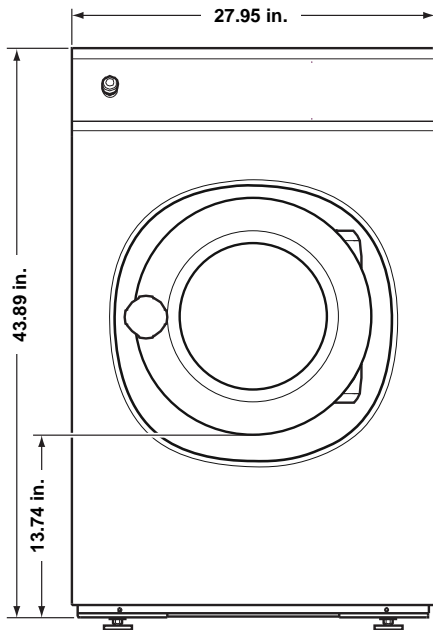
# Machine Dimensions and Specifications

Model SYN020

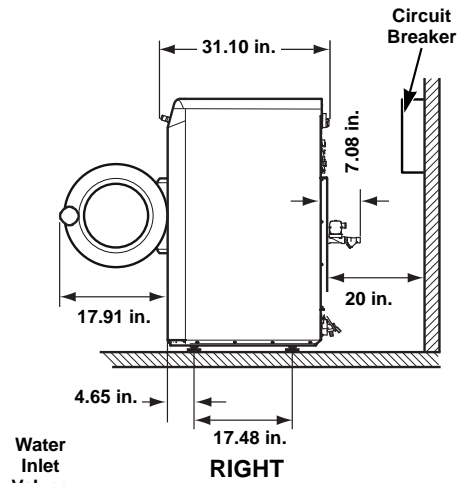


Equipment specifications are subject to change without notice.

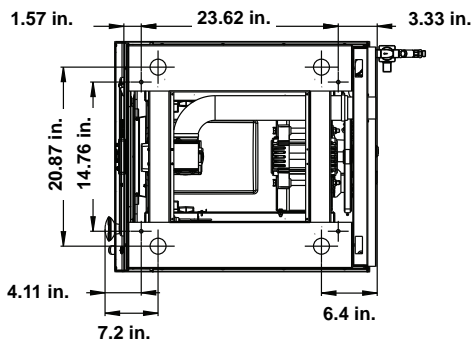
## Dimensions and Foundation Requirements



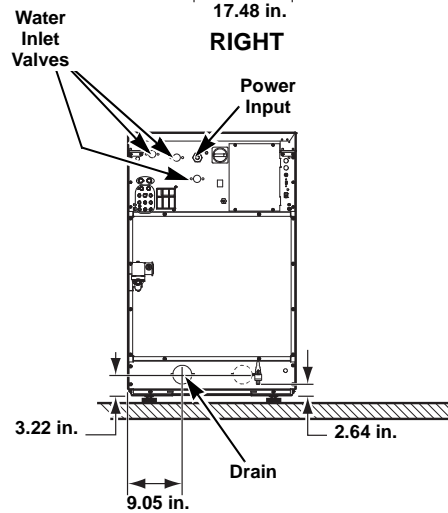
FRONT



RIGHT



BASE



BACK

CFD1L

## Electrical Specifications

Voltage Designation					Non-Electric Heat Machines (Standard)		
Code	Voltage	Cycle	Phase	Wire	Full Load Amps	Breaker (Non Fused)	AWG
X	200-240	60	1 or 3	2 (L1, L2 or L1, N)	6.7	10	14

## Water, Drain and Weight Specifications

Drain: Number (Size)	1 (3 in.)
Fill Water Inlets: Number (Size)	3 (3/4 in.) 2 standard, 1 optional
Weight: Net (Gross)	408 lbs. (441 lbs.)
Side Clearance:	0.79 in. (minimum)