

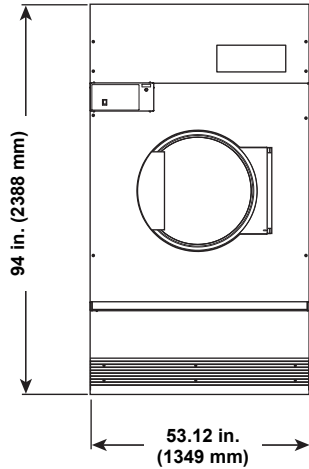
Machine Dimensions and Specifications

Model ST200S

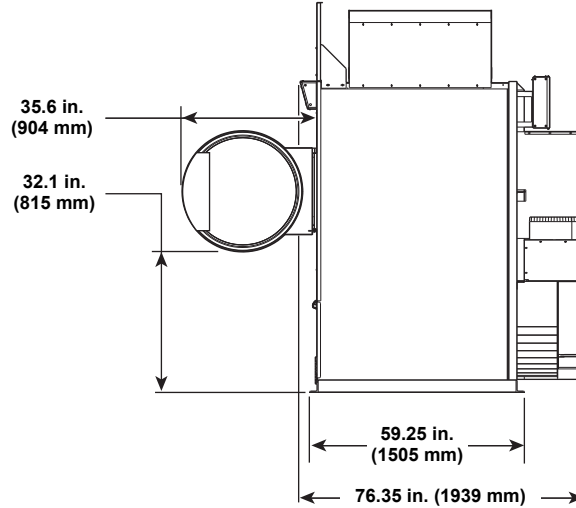


Equipment specifications are subject to change without notice.

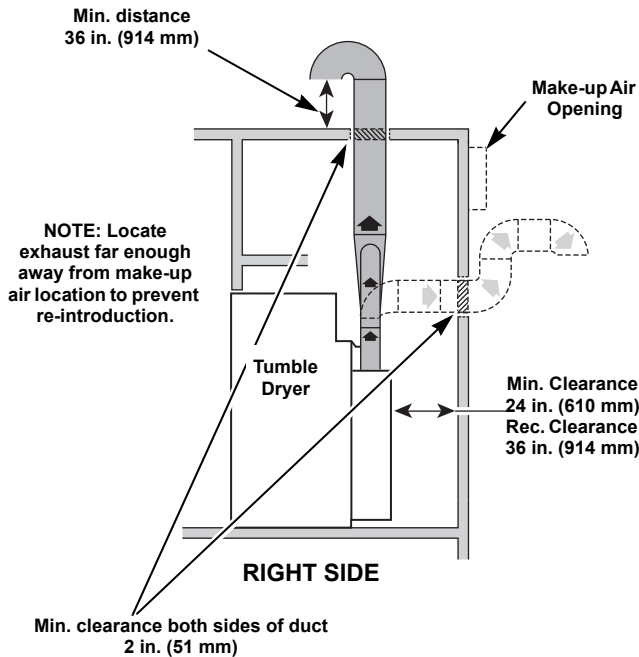
Dimensions



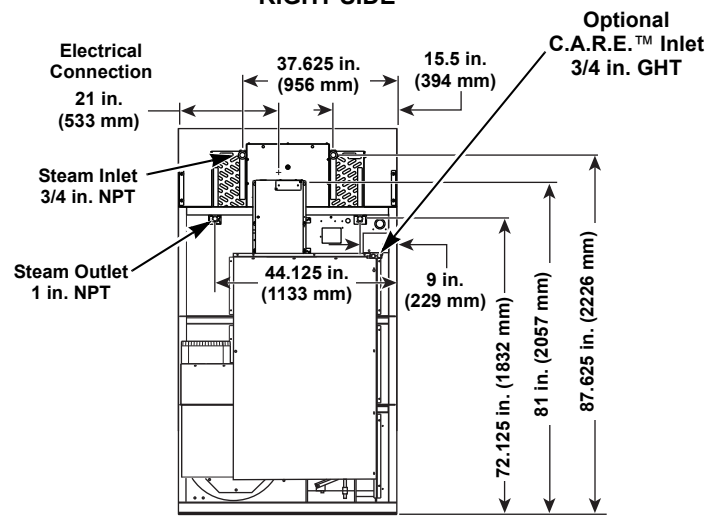
FRONT



RIGHT SIDE



RIGHT SIDE



BACK

TMB81L

Specifications

Net Weight	1808 lbs. (820 kg)
Make-up Air Opening	525 sq. in. (3710 sq. cm)
Maximum Airflow per Pocket: C.F.M. (l/sec.)	2450 (1156)
Maximum Static Back Pressure: Inches W.C. (mbar)	0.8 (2.0)
Steam Coil Rating	648,000 Btu/hr.

Electrical Specifications

Code	Voltage	Cycle	Phase	Wire	Full Load Amps	Breaker Rating (Amps)	Breaker Poles	AWG
F6	200-208, 240	60	3	3	14	20	3	12
P1	440	60	3	3	7	15	3	14
Q1	460-480	60	3	3	7	15	3	14