

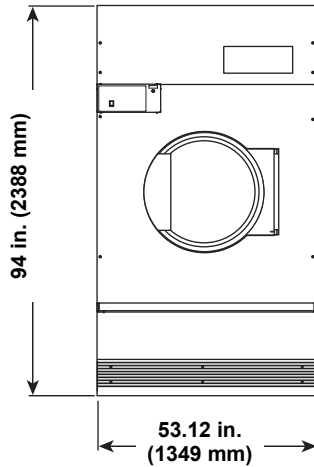
Machine Dimensions and Specifications

Models ST170L and ST170N

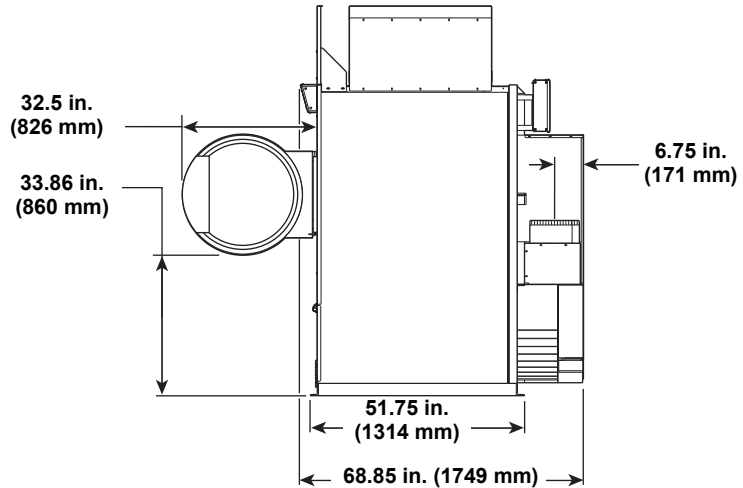


Equipment specifications are subject to change without notice.

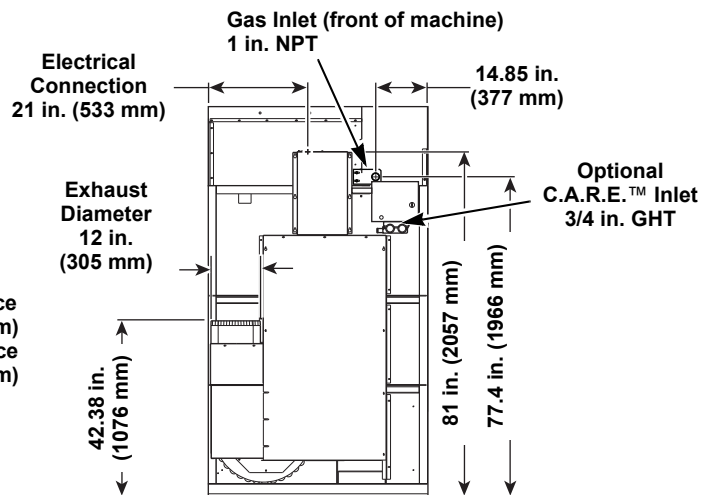
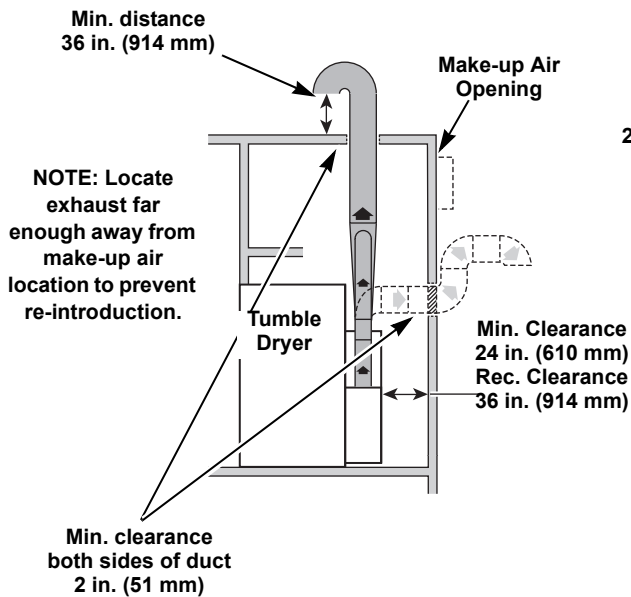
Dimensions



FRONT



RIGHT SIDE



BACK

TMB78L

Specifications

Net Weight	1575 lbs.	
Make-up Air Opening	525 sq. in.	
Maximum Airflow per Pocket: C.F.M.	2450	
Maximum Static Back Pressure: Inches W.C.	0.8	
Gas Burner Rating:	395,000 Btu/hr	
Recommended Gas Pressure: Inches W.C.	N.G.	6.5
	L.P.	11

Electrical Specifications

Code	Voltage	Cycle	Phase	Wire	Full Load Amps	Breaker Rating (Amps)	Breaker Poles	AWG
F6	200-208, 240	60	3	3	13.5	20	3	12
M3	380	60	3	3	6.9	15	3	14
Q1	460-480	60	3	3	6.7	15	3	14