

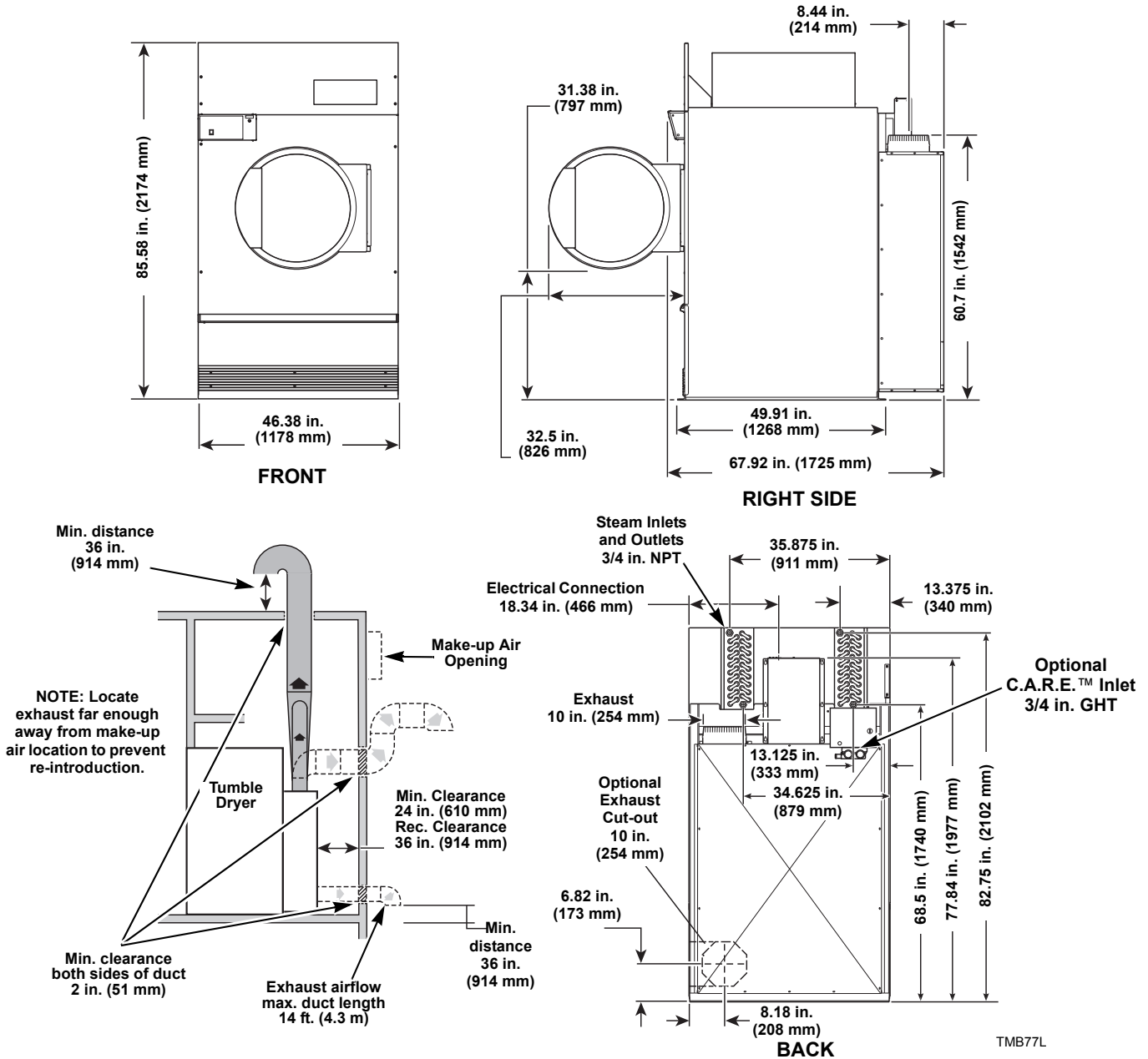
Machine Dimensions and Specifications

Models ST120S



Equipment specifications are subject to change without notice.

Dimensions



Specifications

Net Weight	1375 lbs.
Make-up Air Opening	360 sq. in.
Maximum Airflow per Pocket: C.F.M.	1600
Maximum Static Back Pressure: Inches W.C.	0.8
Steam Coil Rating:	405,000 Btu/hr

Electrical Specifications

Code	Voltage	Cycle	Phase	Wire	Full Load Amps	Breaker Rating (Amps)	Breaker Poles	AWG
F6	240	60	3	3	7.7	15	3	14
M3	380	60	3	3	4.1	10	3	14
P1	460	60	3	3	3.8	10	3	14
Q1	460-480	60	3	3	3.9	10	3	14