

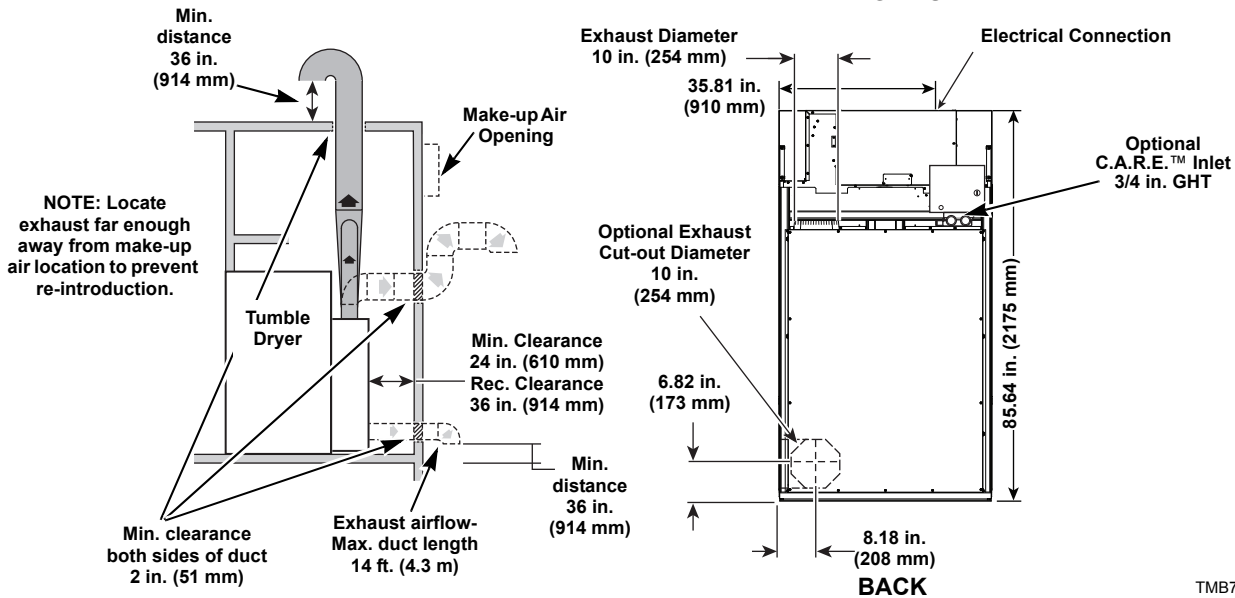
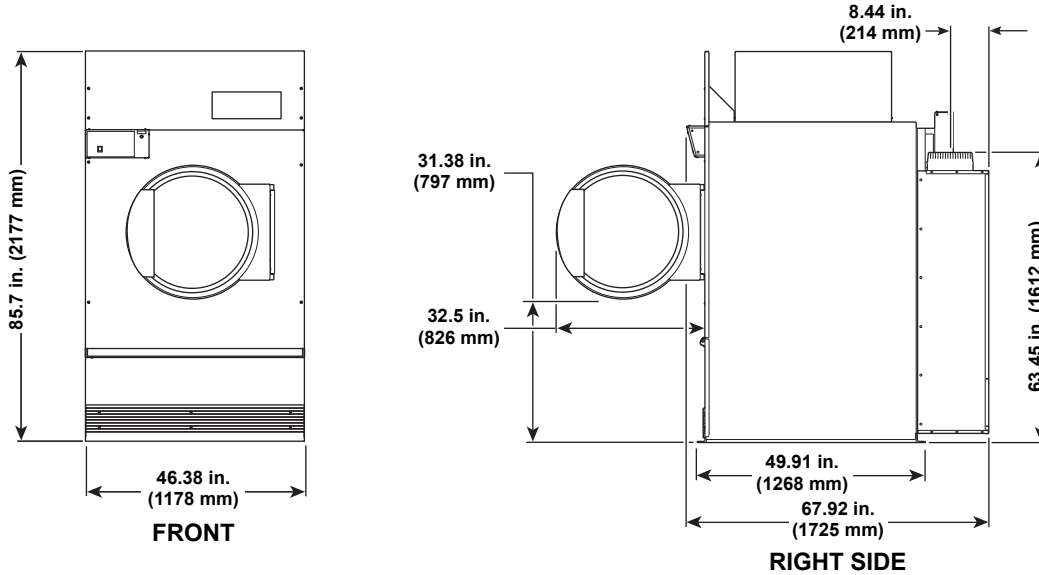
Machine Dimensions and Specifications

Models ST120E



Equipment specifications are subject to change without notice.

Dimensions



TMB75L

Specifications

Net Weight	1275 lbs.
Make-up Air Opening	360 sq. in.
Maximum Airflow per Pocket: C.F.M.	1600
Maximum Static Back Pressure: Inches W.C.	0.8
Heating Element	60 kW

Electrical Specifications

Code	Voltage	Cycle	Phase	Wire	Full Load Amps	Breaker Rating (Amps)	Breaker Poles	AWG
J8	240	60	3	3	152	175	3	3/0
M3	380	60	3	3	94.5	125	3	1
Q2	480	60	3	3	76.1	100	3	3