

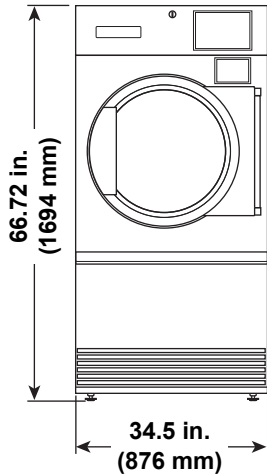
Machine Dimensions and Specifications

Models ST055L and ST055N

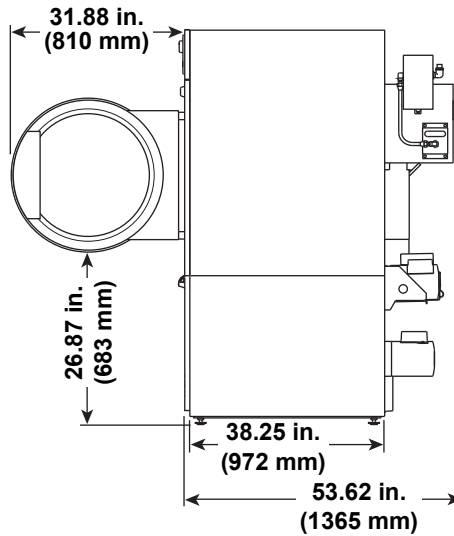


Equipment specifications are subject to change without notice.

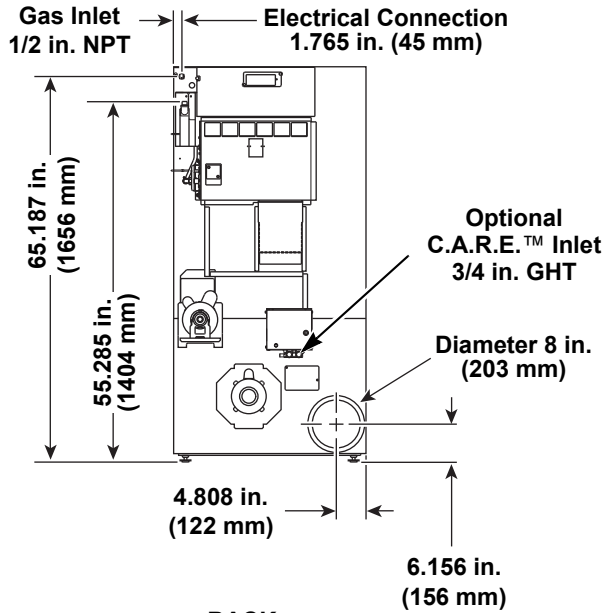
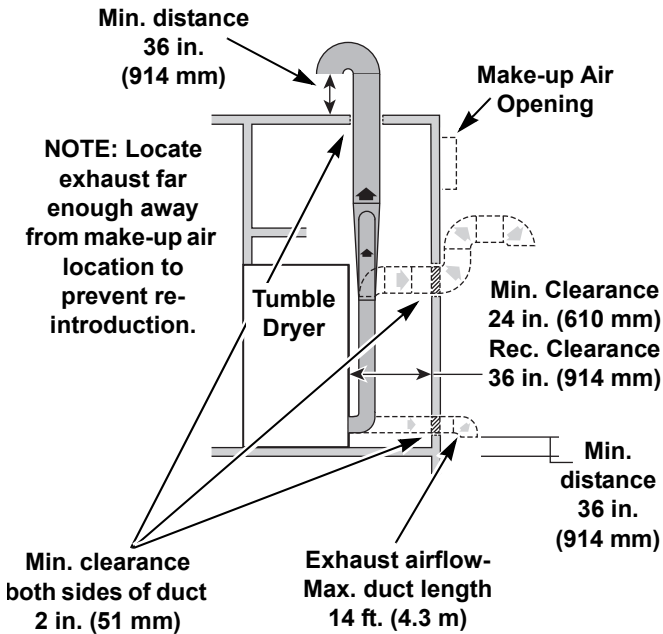
Dimensions



FRONT



RIGHT SIDE



BACK

TMB72L

Specifications

Net Weight	435 lbs.	
Make-up Air Opening	144 sq. in.	
Maximum Airflow per Pocket: C.F.M.	700	
Maximum Static Back Pressure: Inches W.C.	0.6	
Gas Burner Rating:	112,000 Btu/hr	
Recommended Gas Pressure: Inches W.C.	N.G.	6.5
	L.P.	11

Electrical Specifications

Code	Voltage	Cycle	Phase	Wire	Full Load Amps		Fuse or Breaker Rating (Amps)	Breaker Poles	AWG
					Nonreversing	Reversing			
A2	100	60	1	2	9.8	N/A	15	1	14
	200-220	60	1	2	4.6	N/A	15	2	14
B2	120, 208-240	60	1	2/3	9.2	N/A	15	1	14
F6	200-208, 240	60	3	3	4.0	4.5	10*	3	14

* 3 Phase machines should not have fuses, breakers only.