

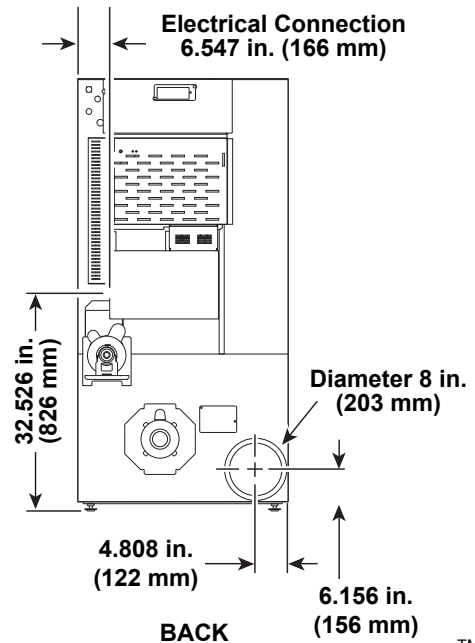
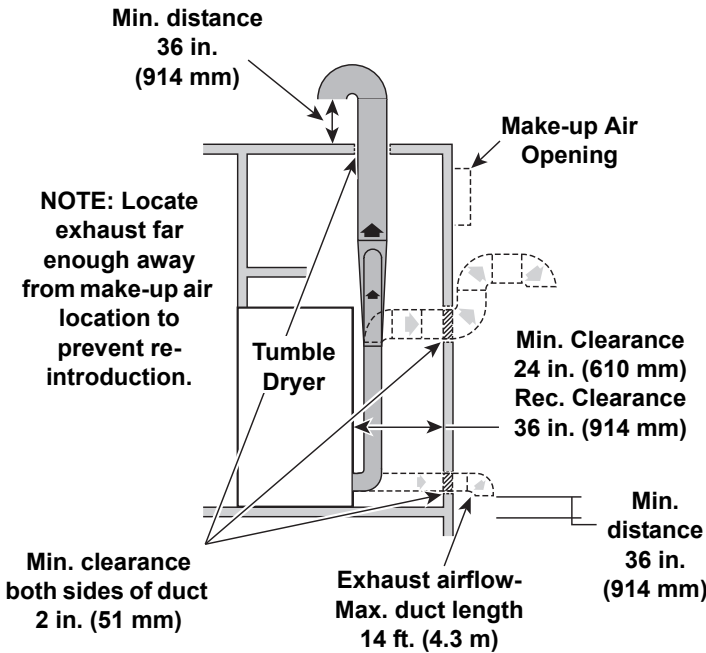
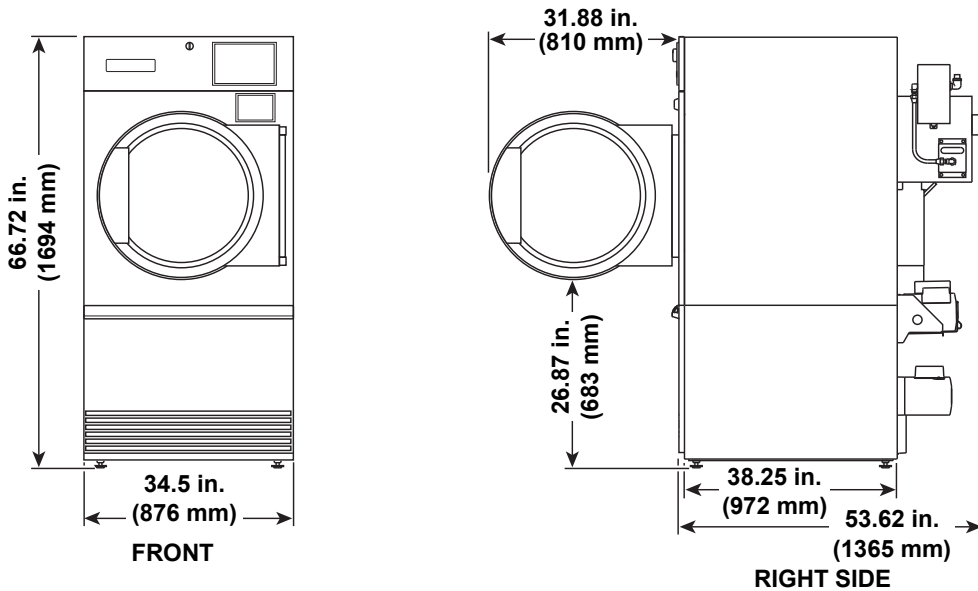
Machine Dimensions and Specifications

Model ST055E



Equipment specifications are subject to change without notice.

Dimensions



TMB71L

Specifications

Net Weight	435 lbs.
Make-up Air Opening	144 sq. in.
Maximum Airflow per Pocket: C.F.M.	700
Maximum Static Back Pressure: Inches W.C.	0.6
Heating Element Rating:	27 kW

Electrical Specifications

Code	Voltage	Cycle	Phase	Wire	Full Load Amps		Fuse or Breaker Rating (Amps)	Breaker Poles	AWG
					Nonreversing	Reversing			
F5	200-208	60	3	3	79	79	100A*	3	3
G1	208	60	1	3	129	N/A	175A	2	2/0
J4	240	60	1	3	115	N/A	150A	2	1/0
J8	240	60	3	3	65	65	80A*	3	4

* 3 Phase machines should not have fuses, breakers only.