

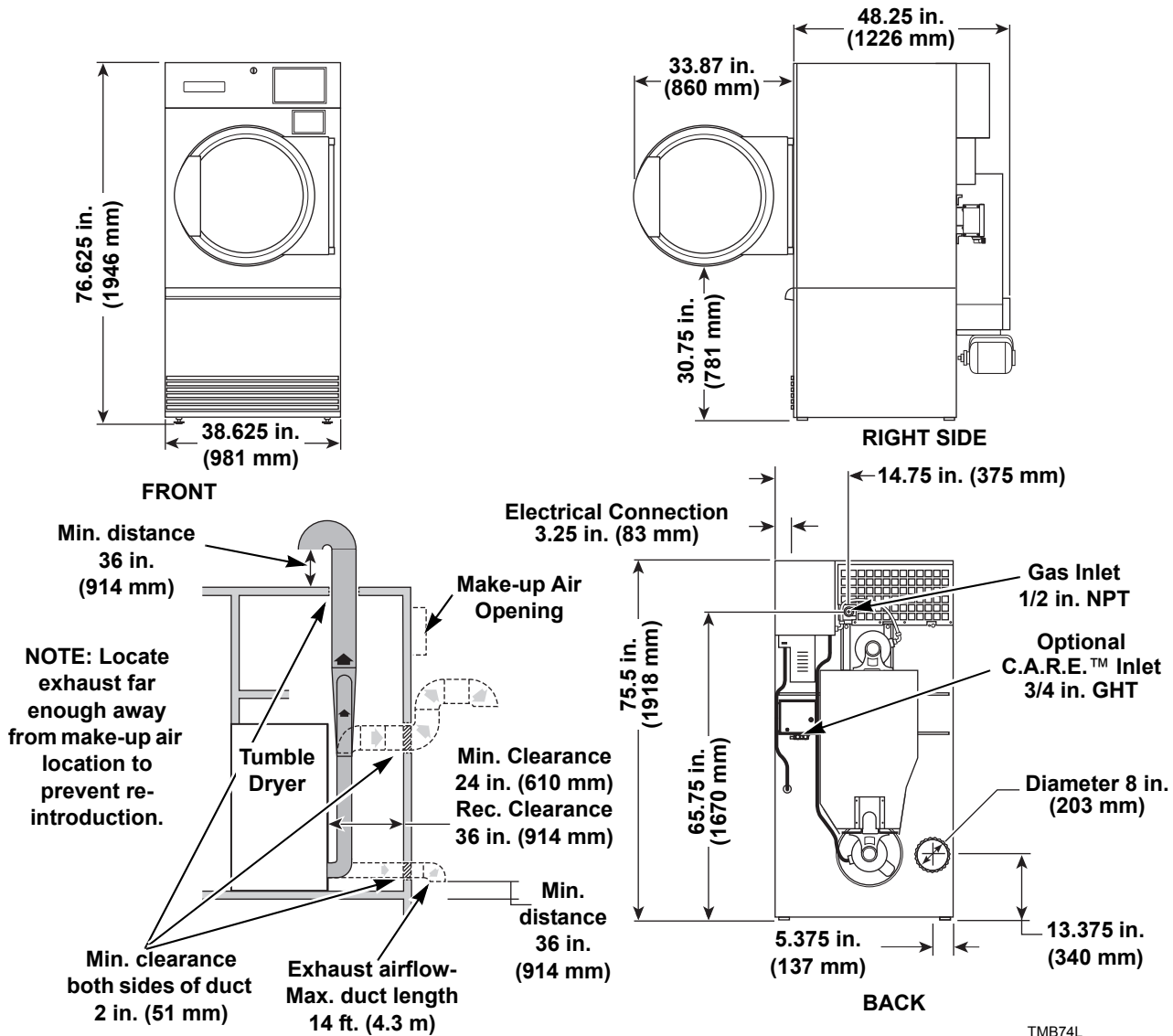
# Machine Dimensions and Specifications

Models ST050L and ST050N



Equipment specifications are subject to change without notice.

## Dimensions



TMB74L

## Specifications

Net Weight	545 lbs.	
Make-up Air Opening	144 sq. in.	
Maximum Airflow per Pocket: C.F.M.	750	
Maximum Static Back Pressure: Inches W.C.	0.5	
Gas Burner Rating:	130,000 Btu/hr	
Recommended Gas Pressure: Inches W.C.	N.G.	6.5
	L.P.	11

## Electrical Specifications

Code	Voltage	Cycle	Phase	Wire	Full Load Amps		Fuse or Breaker Rating (Amps)	Breaker Poles	AWG
					Nonreversing	Reversing			
B1	120	60	1	2	9.3	N/A	15	1	14
B2	120/208-240	60	1	2	N/A	12	15	1	14
F3	208-240	60	1	2	5.1	N/A	10	1 or 2	14
F6	200-208/240	60	3	3	2.8	4.0	10*	3	14
M3	380	60	3	3	1.6	2.0	10*	3	14
P1	440	60	3	3	1.4	1.9	10*	3	14
Q1	460-480	60	3	3	1.4	1.9	10*	3	14

\* 3 Phase machines should not have fuses, breakers only.