

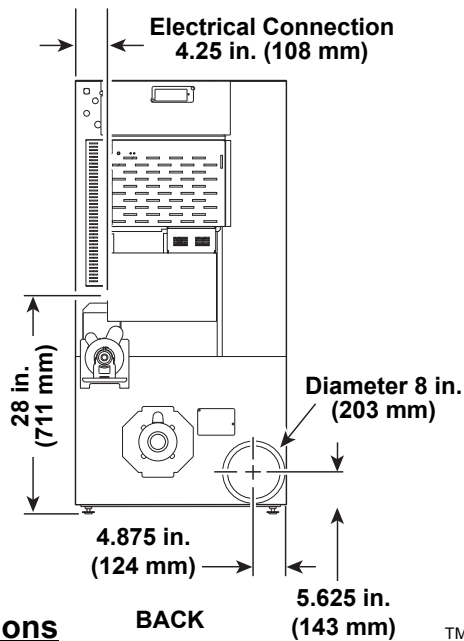
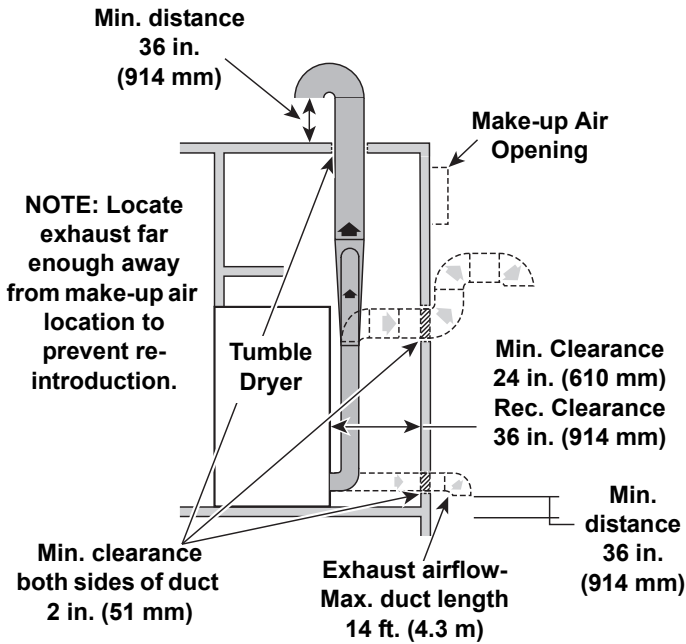
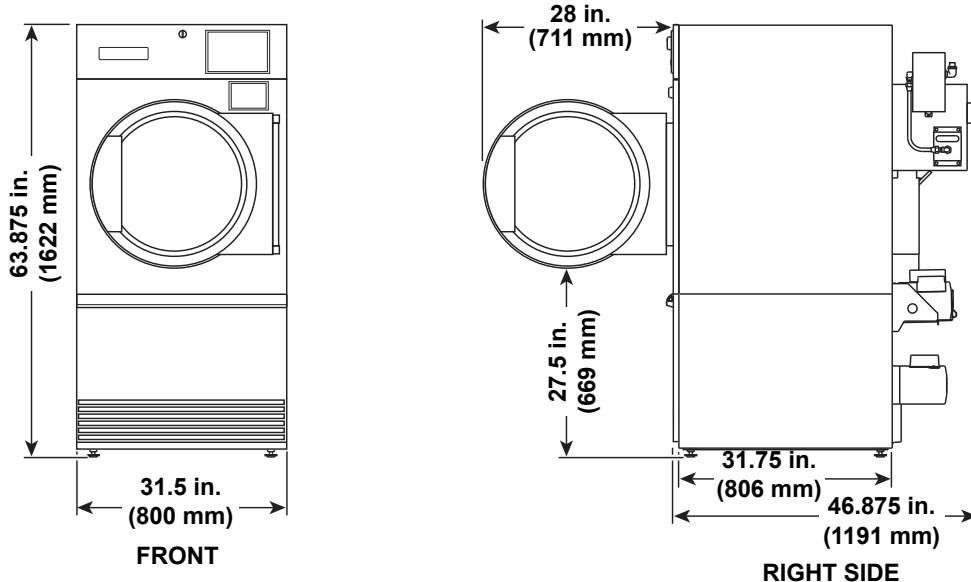
Machine Dimensions and Specifications

Models ST035E



Equipment specifications are subject to change without notice.

Dimensions



TMB71L

Specifications

Net Weight	360 lbs.
Make-up Air Opening	144 sq. in.
Maximum Airflow per Pocket: C.F.M.	650
Maximum Static Back Pressure: Inches W.C.	0.6
Heating Element Rating:	24 kW

Electrical Specifications

Code	Voltage	Cycle	Phase	Wire	Full Load Amps		Fuse or Breaker Rating (Amps)	Breaker Poles	AWG
					Nonreversing	Reversing			
F2	200	60	1	2	122	N/A	175A	1	2/0
F5	200-208	60	3	3	71	71	90A*	3	3
G1	208	60	1	3	122	N/A	175A	2	2/0
J4	240	60	1	3	107	N/A	150A	2	1/0
J8	240	60	3	3	62	62	80A*	3	4
M3	380	60	3	3	38	38	50A*	3	6
P1	440	60	3	3	33	N/A	45A*	3	8
Q1	460-480	60	3	3	31	31	40A*	3	8

* 3 Phase machines should not have fuses, breakers only.