

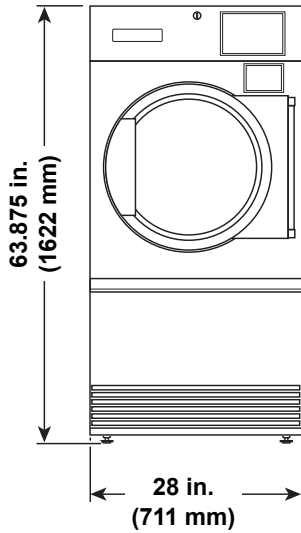
Machine Dimensions and Specifications

Models ST030E

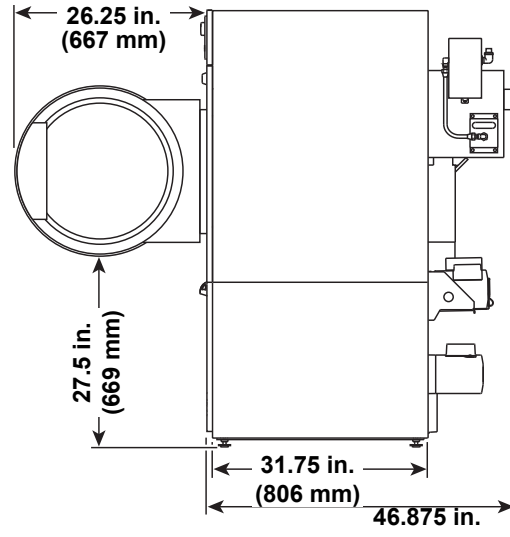


Equipment specifications are subject to change without notice.

Dimensions

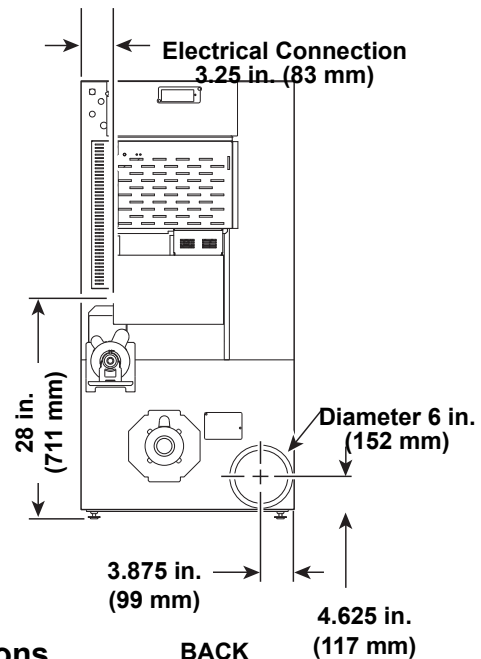
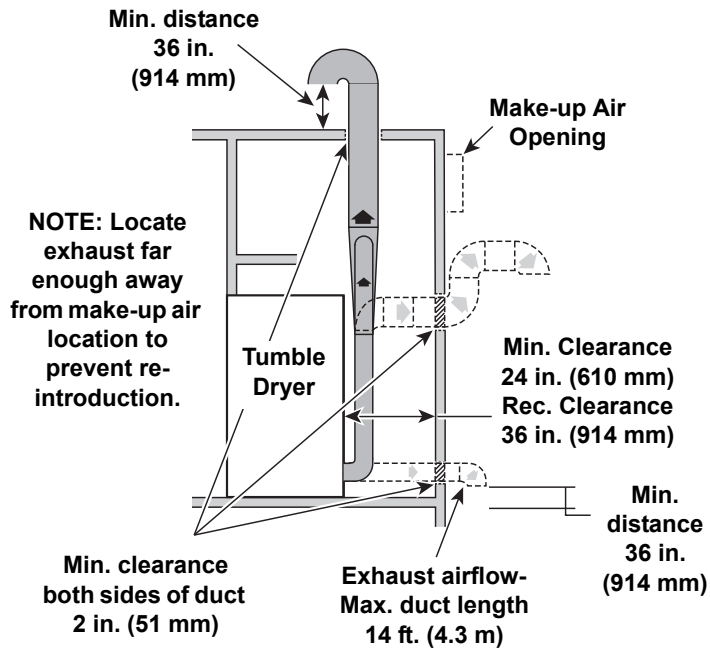


FRONT



RIGHT SIDE

RIGHT SIDE



BACK

TMB71L

Specifications

Net Weight	330 lbs.
Make-up Air Opening	110 sq. in.
Maximum Airflow per Pocket: C.F.M.	500
Maximum Static Back Pressure: Inches W.C.	0.8
Heating Element Rating:	21 kW

Electrical Specifications

Code	Voltage	Cycle	Phase	Wire	Full Load Amps		Fuse or Breaker Rating (Amps)	Breaker Poles	AWG
					Nonreversing	Reversing			
F2	200	60	1	2	108	N/A	150A	1	1/0
F5	200-208	60	3	3	62	62	80A*	3	4
G1	208	60	1	3	108	N/A	150A	2	1/0
J4	240	60	1	3	94	N/A	125A	2	1
J8	240	60	3	3	54	54	70A*	3	4
M3	380	60	3	3	33	33	45A*	3	8
P1	440	60	3	3	29	N/A	40A*	3	8
Q1	460-480	60	3	3	27	27	35A*	3	8

* 3 Phase machines should not have fuses, breakers only.