

Machine Dimensions and Specifications

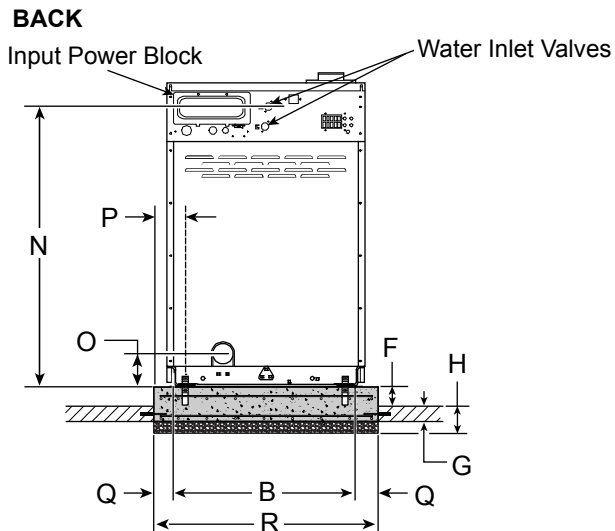
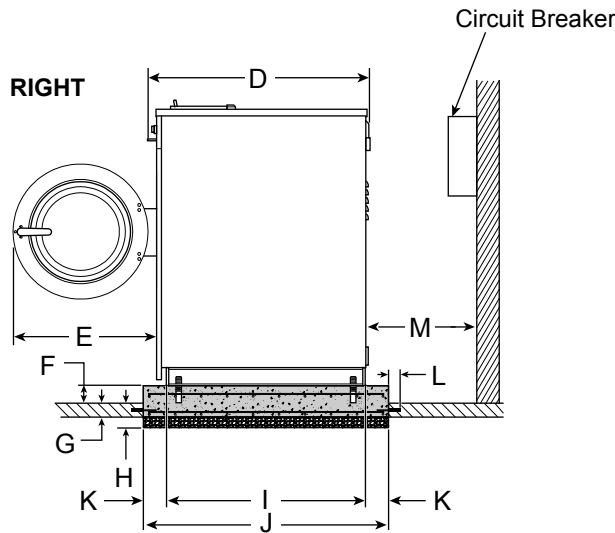
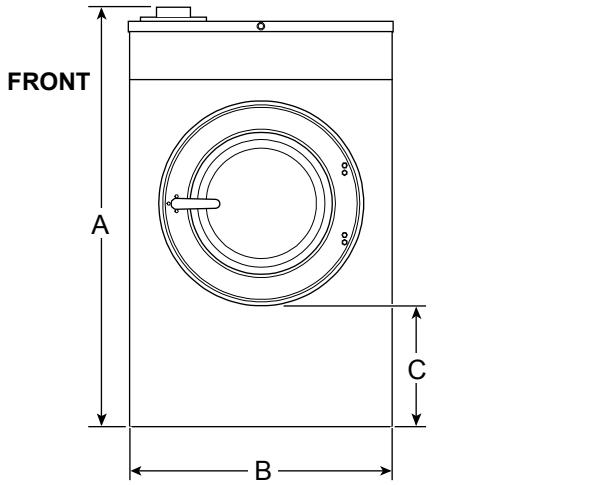
Models SCN040KNF



Equipment specifications are subject to change without notice.

Design 2

Machine Dimensions and Specifications



Dimensions and Foundation Requirements, in. [mm]

A	48.7 [1237]	J	43.5 [1105]
B	30.63 [778]	K	3.99 [101]
C	14.56 [370]	L	2.5 [64]
D	42.25 [1073]	M	24 [610]
E	21.75 [552]	N	43.19 [1097]
F*	8 [203] (maximum)	O	4.51 [115]
G	4 [102]	P	8.82 [224]
H	8 [203] (minimum)	Q	2.81 [71]
I	36.96 [939]	R	36.5 [927]

*Optional elevated pad

Water, Drain and Weight Specifications

Number of drain outlets	1
Drain connection size, in. [mm]	3 [76]
Number of water inlets	2
Water inlet connection size, in. BSP [mm]	3/4 [19]
Net weight, lbs. [kg]	550 [249]
Standard shipping weight, lbs. [kg]	590 [268]
Side clearance from wall, in. [mm]	2 [51]
Side clearance between machines, in. [mm]	.5 [13]

Electrical Specifications

Code	Voltage	Cycle	Phase	Wire	Full Load Amps	Circuit Breaker	AWG	mm ²
B	120	60	1	2	16	20	12	4
X	200-208	50/60	1/3	2/3	6/4	15	14	2.5
	220-240							
Q	Standard	50/60	3	3	4	15	14	2.5
	Electric Heat							
P	Standard	50/60	3	3	3	15	14	2.5
	Electric Heat							
N	Standard	50/60	3	3	3	15	14	2.5
	Electric Heat							

CHM9L_SVG