

Machine Dimensions and Specifications

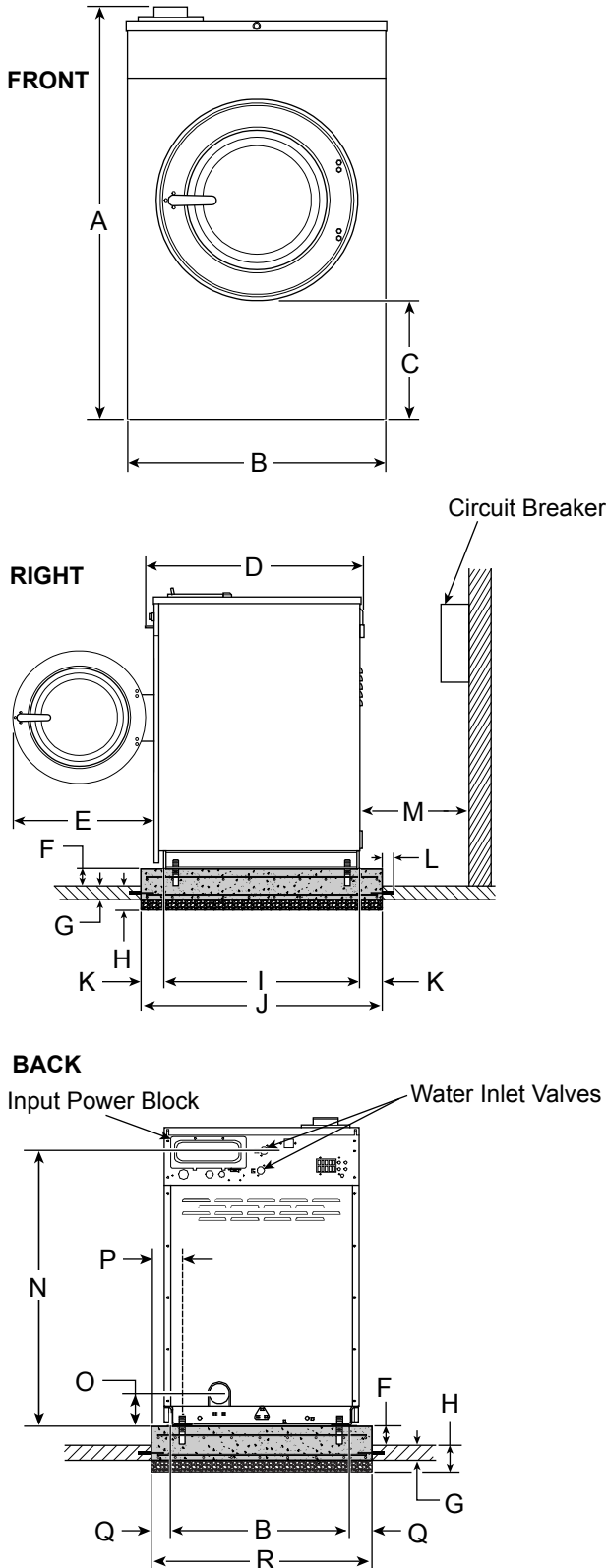
Models SCN030KNV



Equipment specifications are subject to change without notice.

Design 3

Machine Dimensions and Specifications



Dimensions and Foundation Requirements, in. [mm]

A	46.45 [1180]	J	39.5 [1003]
B	29.0 [737]	K	4 [102]
C	14 [356]	L	2.5 [64]
D	35.29 [896]	M	24 [610]
E	19.38 [492]	N	40.94 [1040]
F*	8 [203] (maximum)	O	4.14 [105]
G	4 [102]	P	9.33 [237]
H	8 [203] (minimum)	Q	2.51 [64]
I	31.82 [808]	R	34.4 [874]

*Optional elevated pad

Water, Drain and Weight Specifications

Number of drain outlets	1
Drain connection size, in. [mm]	2 [51]
Number of water inlets	2
Water inlet connection size, in. BSP [mm]	3/4 [19]
Net weight, lbs. [kg]	460 [209]
Standard shipping weight, lbs. [kg]	495 [225]
Side clearance from wall, in. [mm]	2 [51]
Side clearance between machines, in. [mm]	.5 [13]

Electrical Specifications

Code	Voltage	Cycle	Phase	Wire	Full Load Amps	Circuit Breaker	AWG	mm ²	
B	120	60	1	2	16	20	12	4	
X	200-208	50/60	1/3	2/3	6/4	15	14	2.5	
	220-240								
Q	Standard	200-208	50/60	3	3	4	15	14	2.5
	Electric Heat								
P	Standard	380-415	50/60	3	3	3	15	14	2.5
	Electric Heat								
N	440-480	50/60	3	3	3	15	14	2.5	

CHM9L_SVG